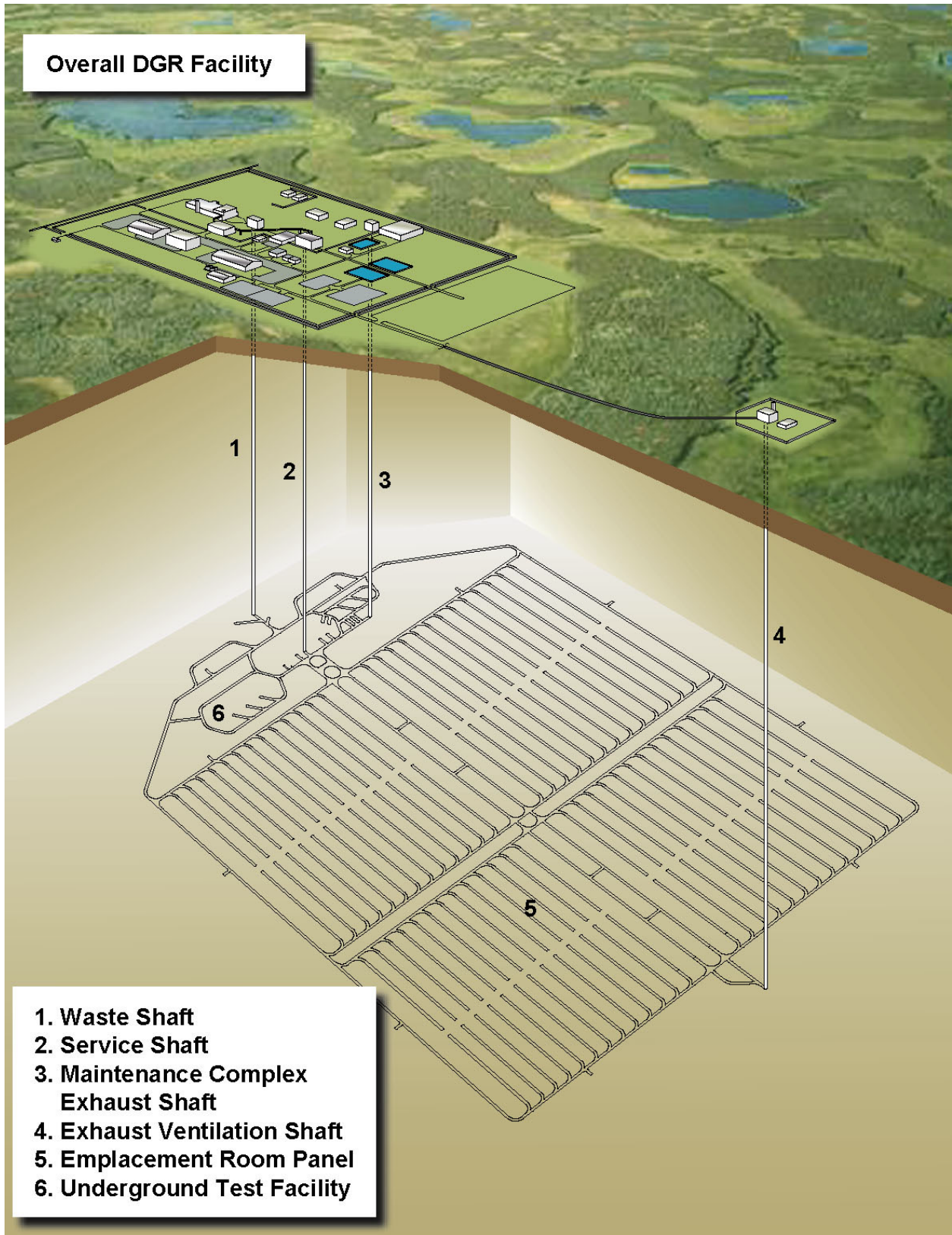
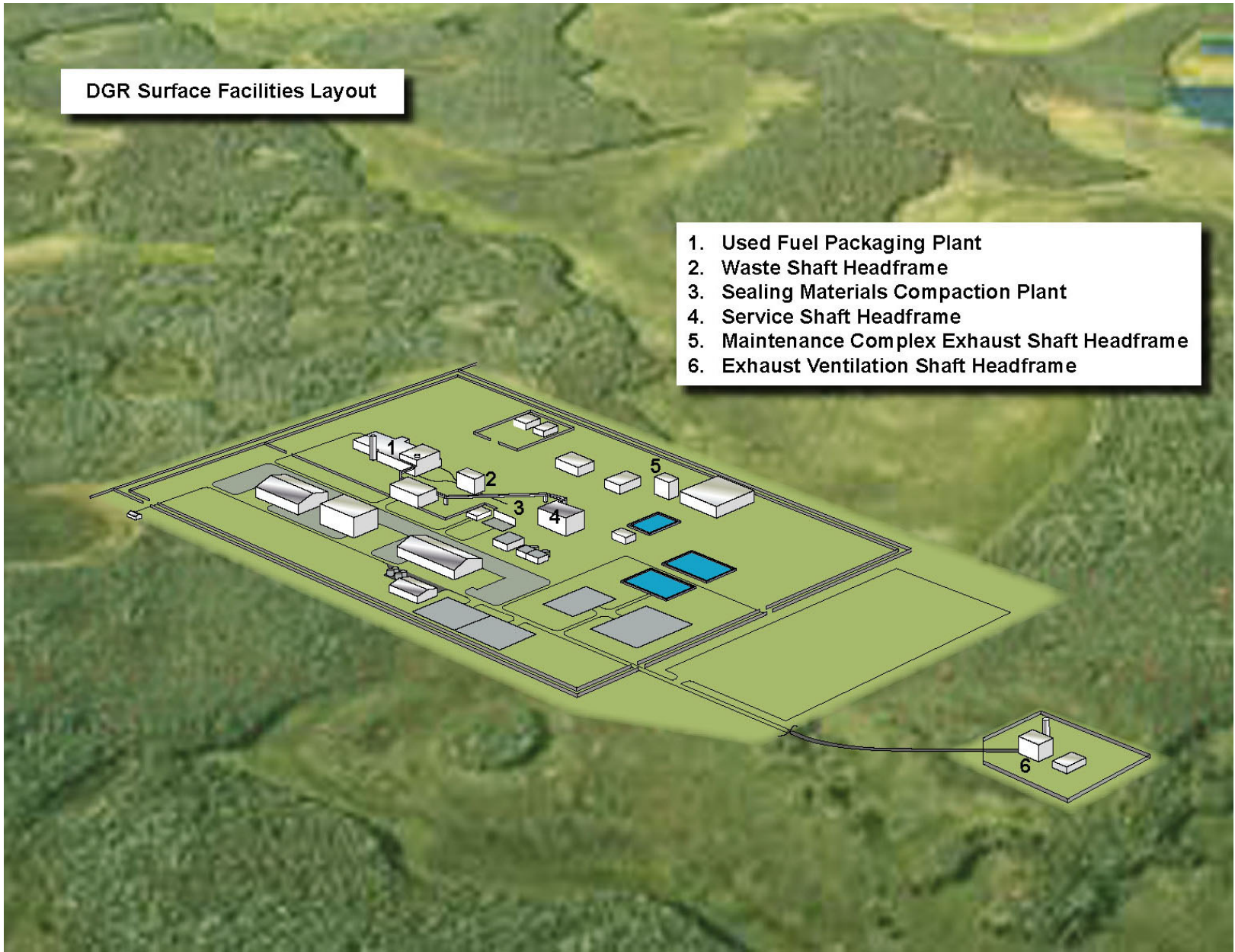


Overall DGR Facility

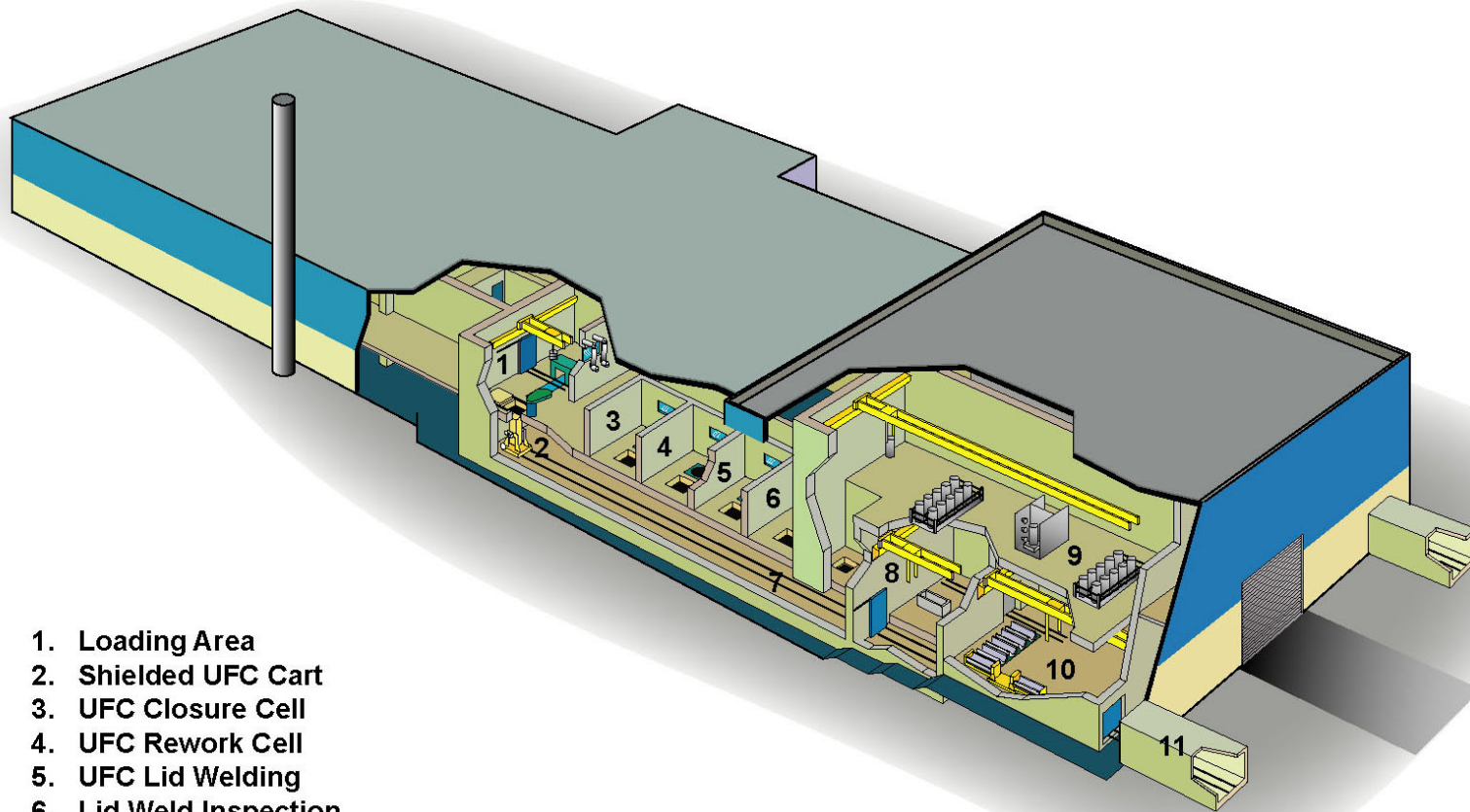


DGR Surface Facilities Layout

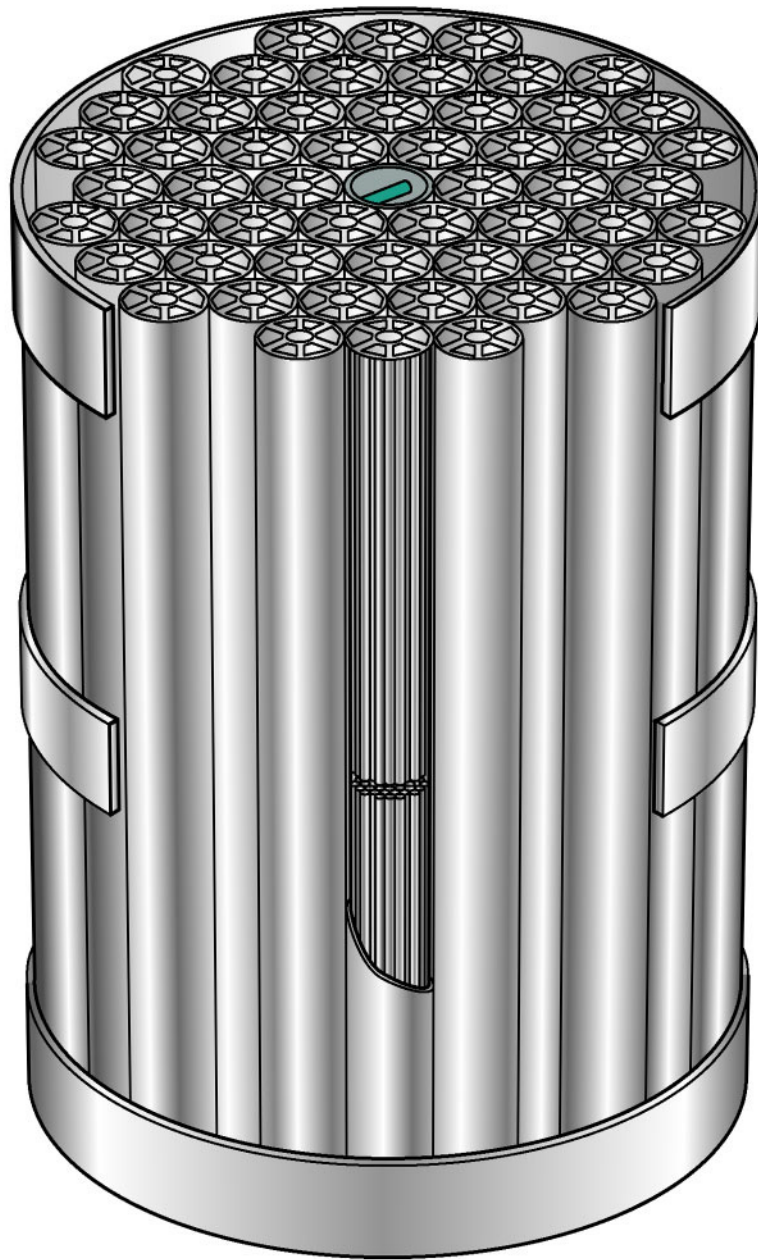
1. Used Fuel Packaging Plant
2. Waste Shaft Headframe
3. Sealing Materials Compaction Plant
4. Service Shaft Headframe
5. Maintenance Complex Exhaust Shaft Headframe
6. Exhaust Ventilation Shaft Headframe



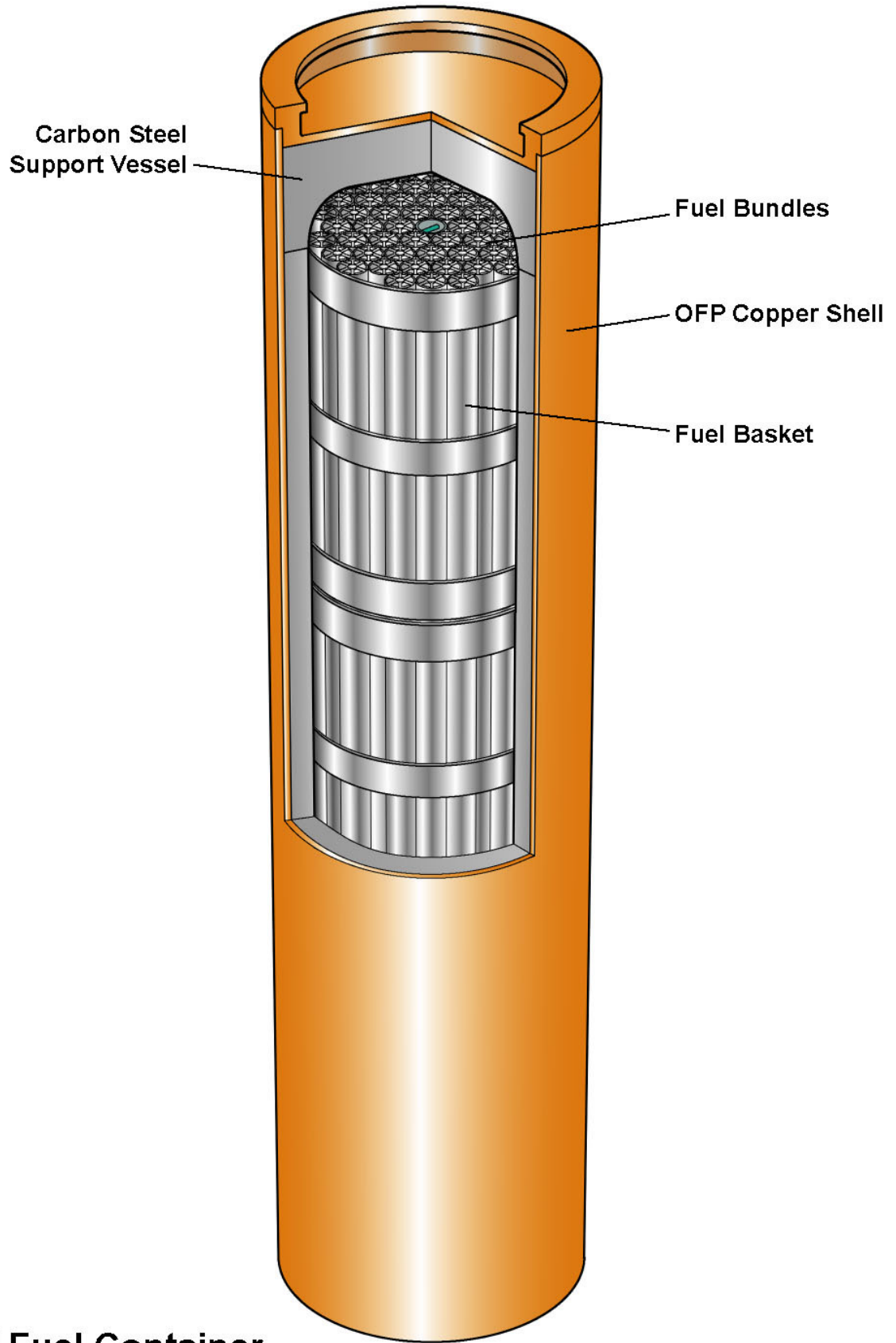
Used Fuel Packaging Plant



1. Loading Area
2. Shielded UFC Cart
3. UFC Closure Cell
4. UFC Rework Cell
5. UFC Lid Welding
6. Lid Weld Inspection
7. Transfer Tunnel
8. New UFC Transfer Station
9. UFC Decontamination
10. UFC Jacketing Area
11. UFC Export Tunnel

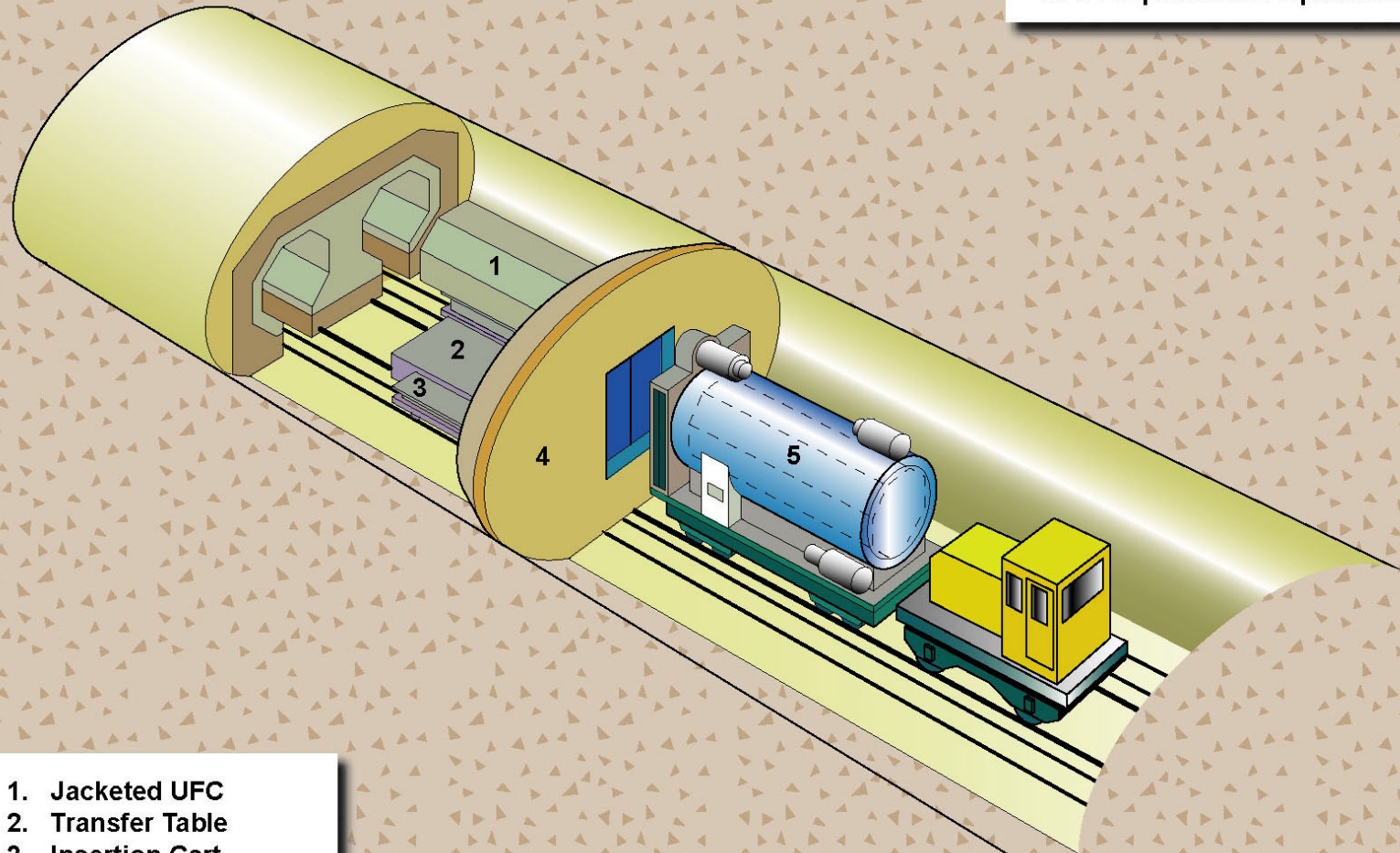


**108-bundle Basket
for the Used Fuel Container**



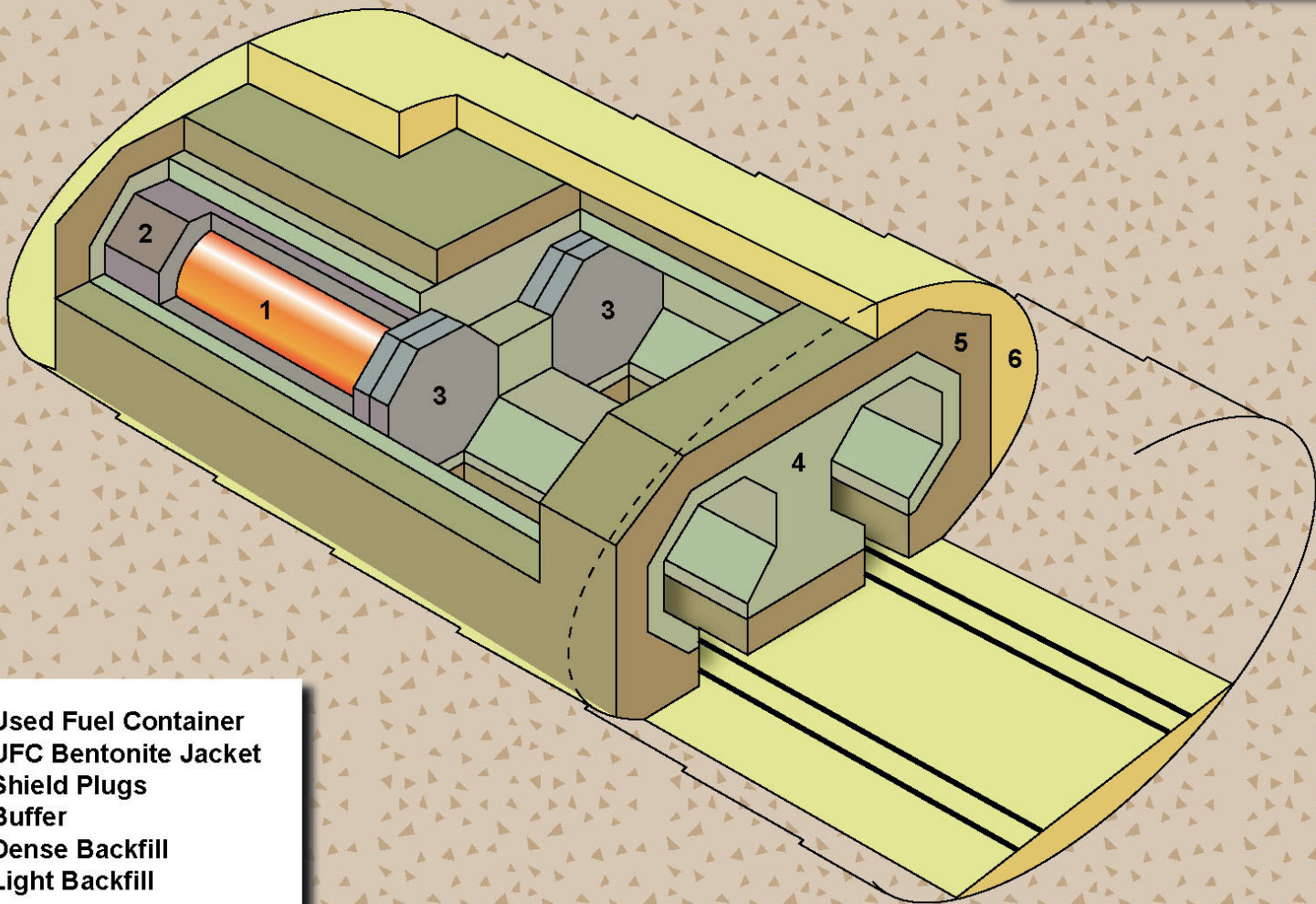
Used Fuel Container

UFC Emplacement Operation



1. Jacketed UFC
2. Transfer Table
3. Insertion Cart
4. Mobile Shield Wall
5. UFC Transport Cask

DGR Emplacement Room



1. Used Fuel Container
2. UFC Bentonite Jacket
3. Shield Plugs
4. Buffer
5. Dense Backfill
6. Light Backfill