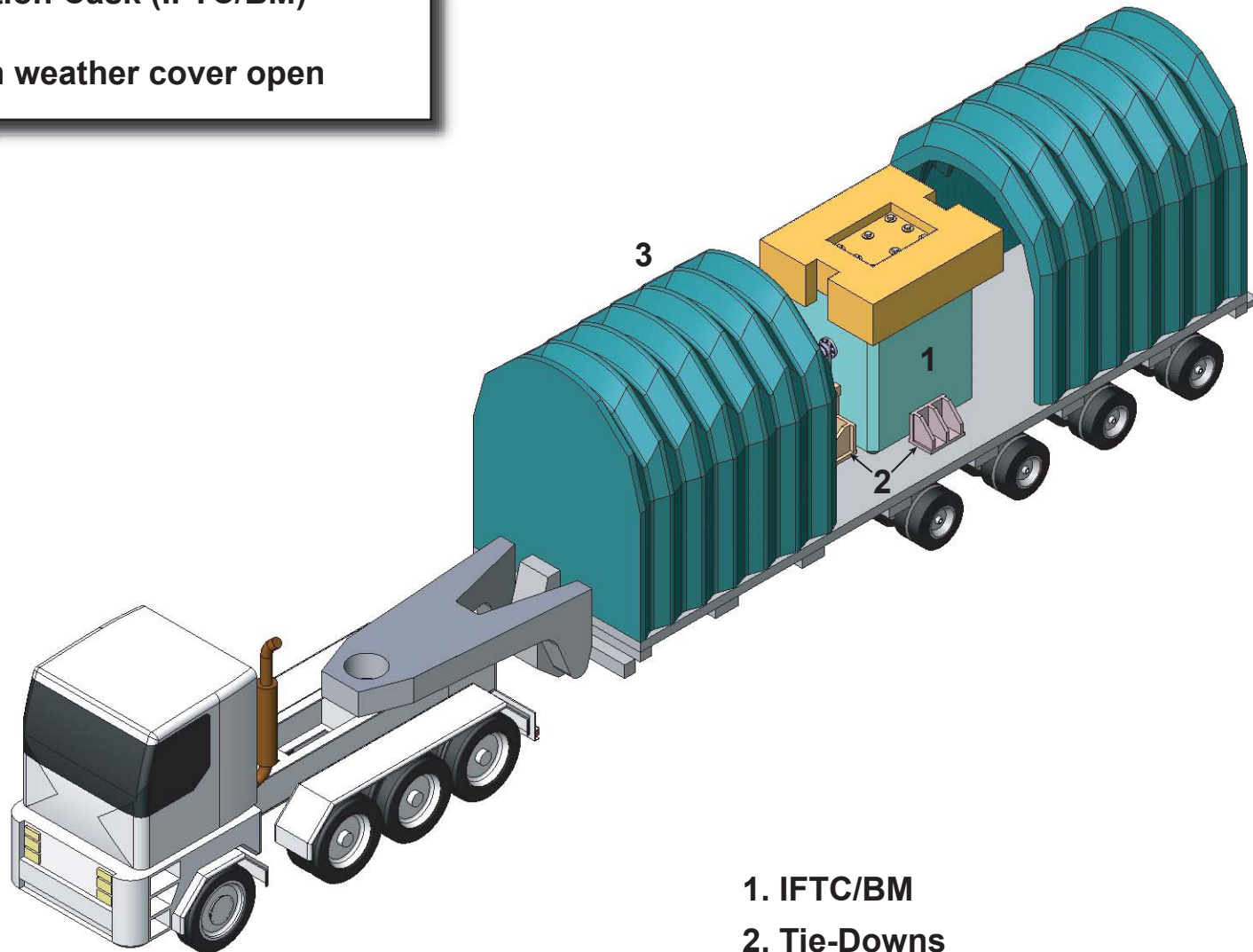


**Road Transportation of Road-weight
Transportation Cask (IFTC/BM)**

Shown with weather cover open



1. IFTC/BM

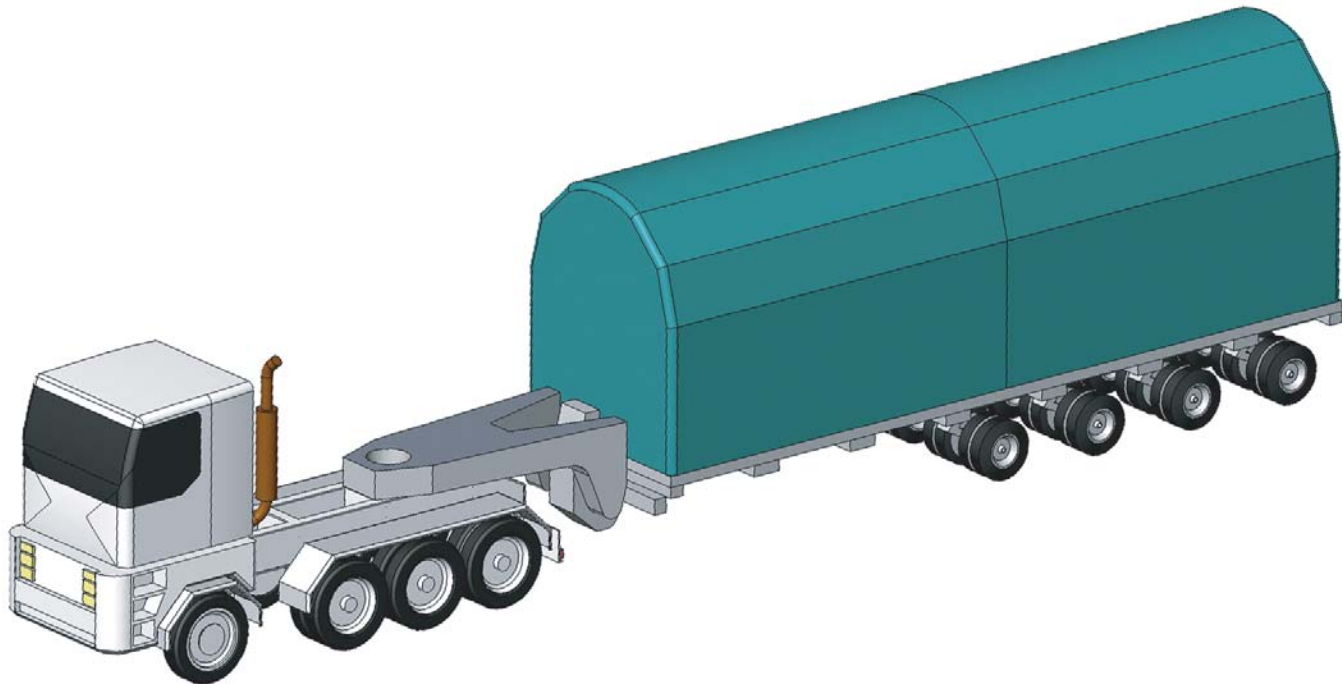
2. Tie-Downs

3. Weather Cover

(labelling for transportation not shown)

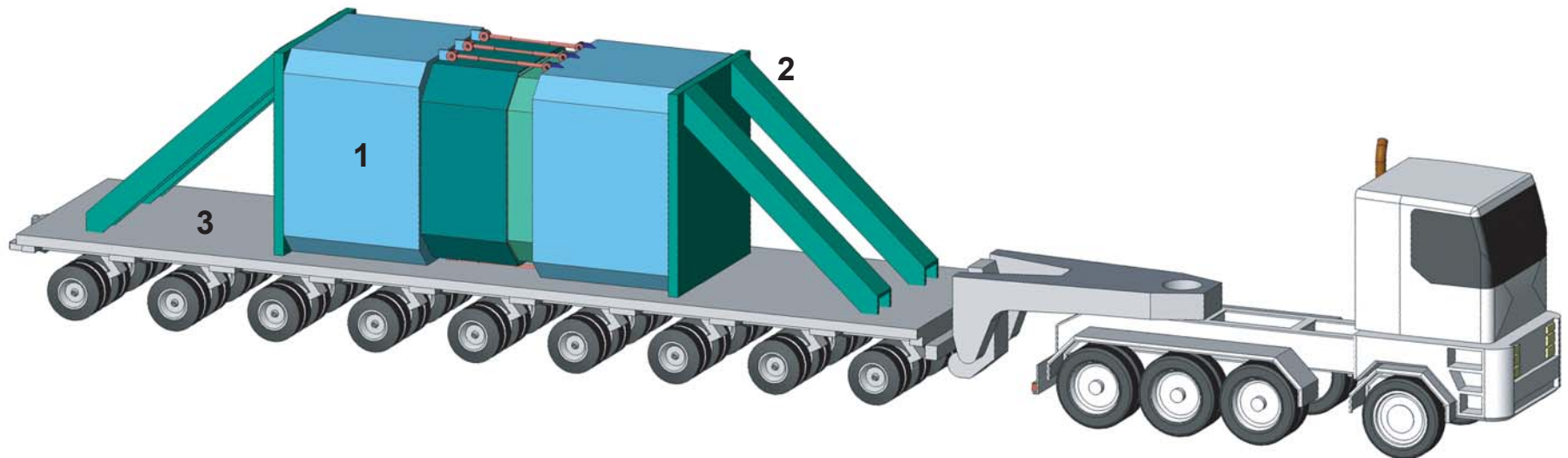
**Road Transportation of Road-Weight
Transportation Cask**

Shown with weather cover closed



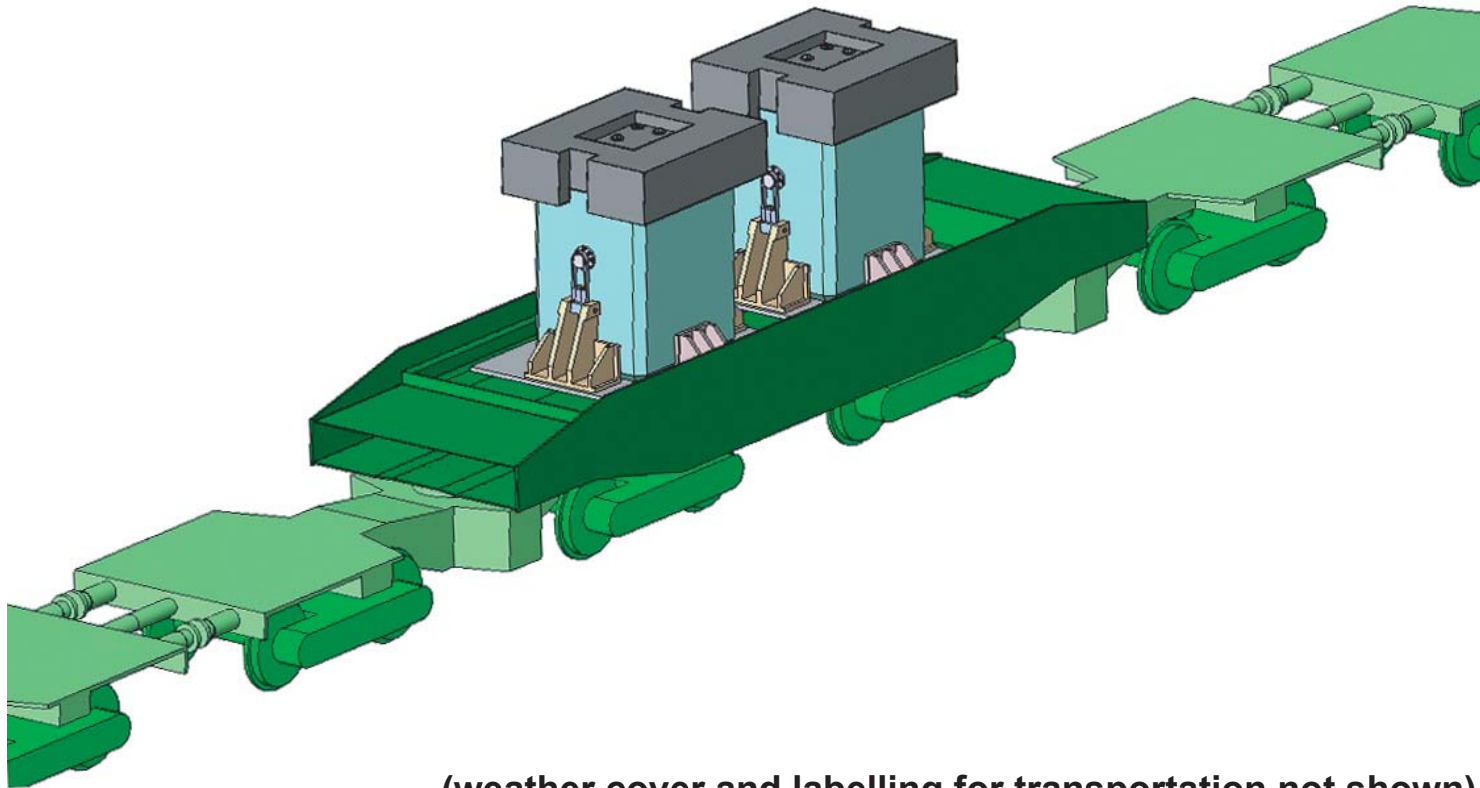
(labelling for transportation not shown)

**Road Transportation of Dry Storage
Container Transportation Package**



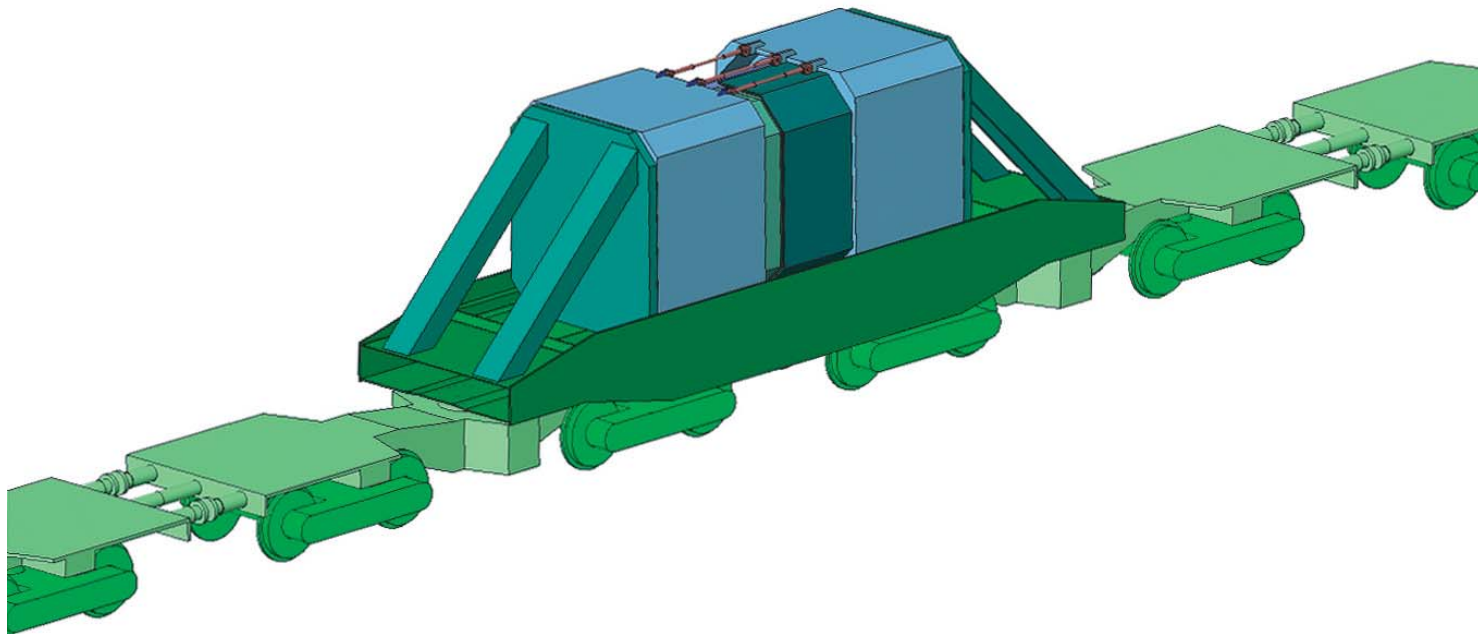
1. DSCTP
2. Beams and Clamping Mechanisms
(side beams not shown)
3. 9-Axle Trailer
(weather cover and labelling for
transportation not shown)

**Rail Transportation of
Transportation Cask IFTC/BM**



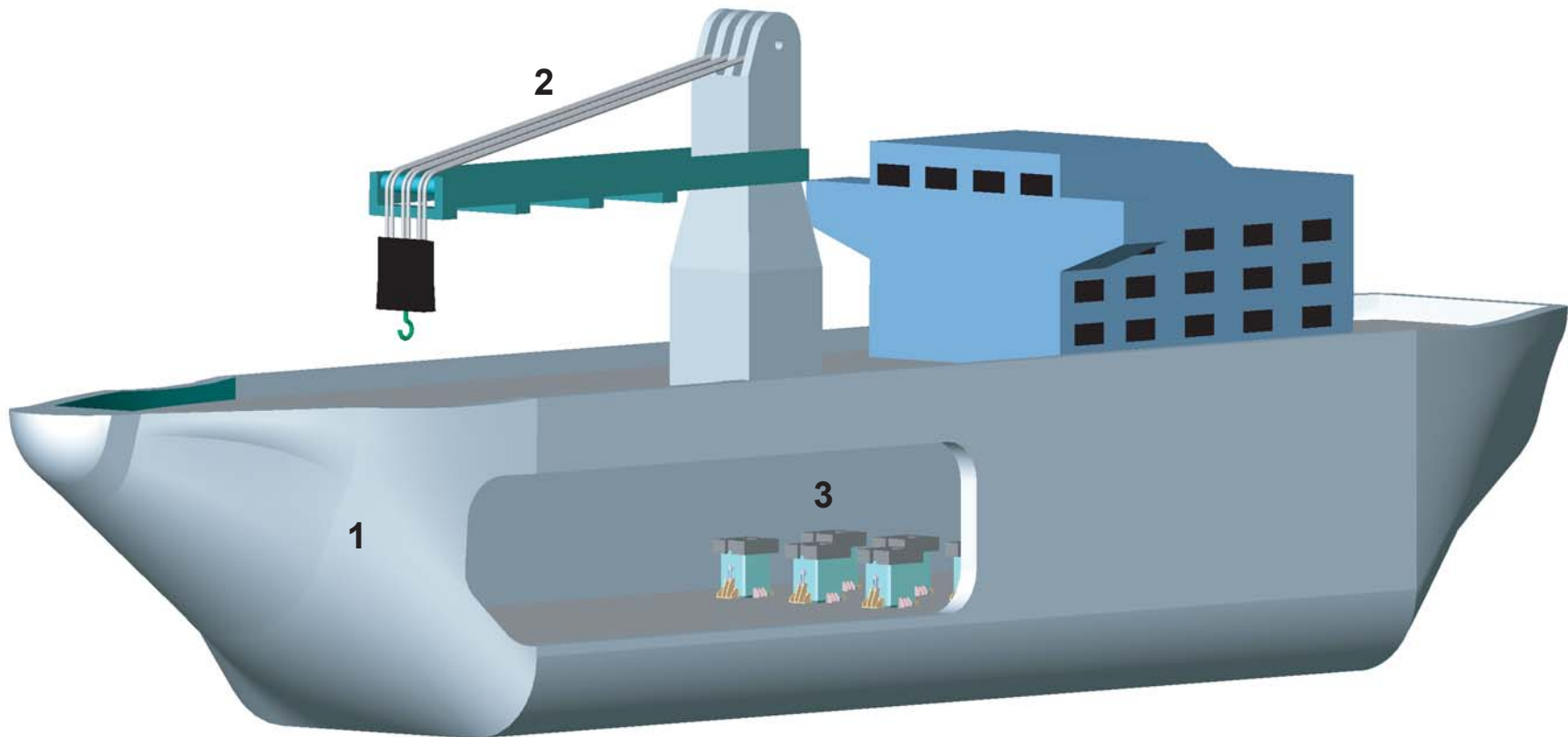
(weather cover and labelling for transportation not shown)

**Rail Transportation of Dry Storage
Transportation Package**



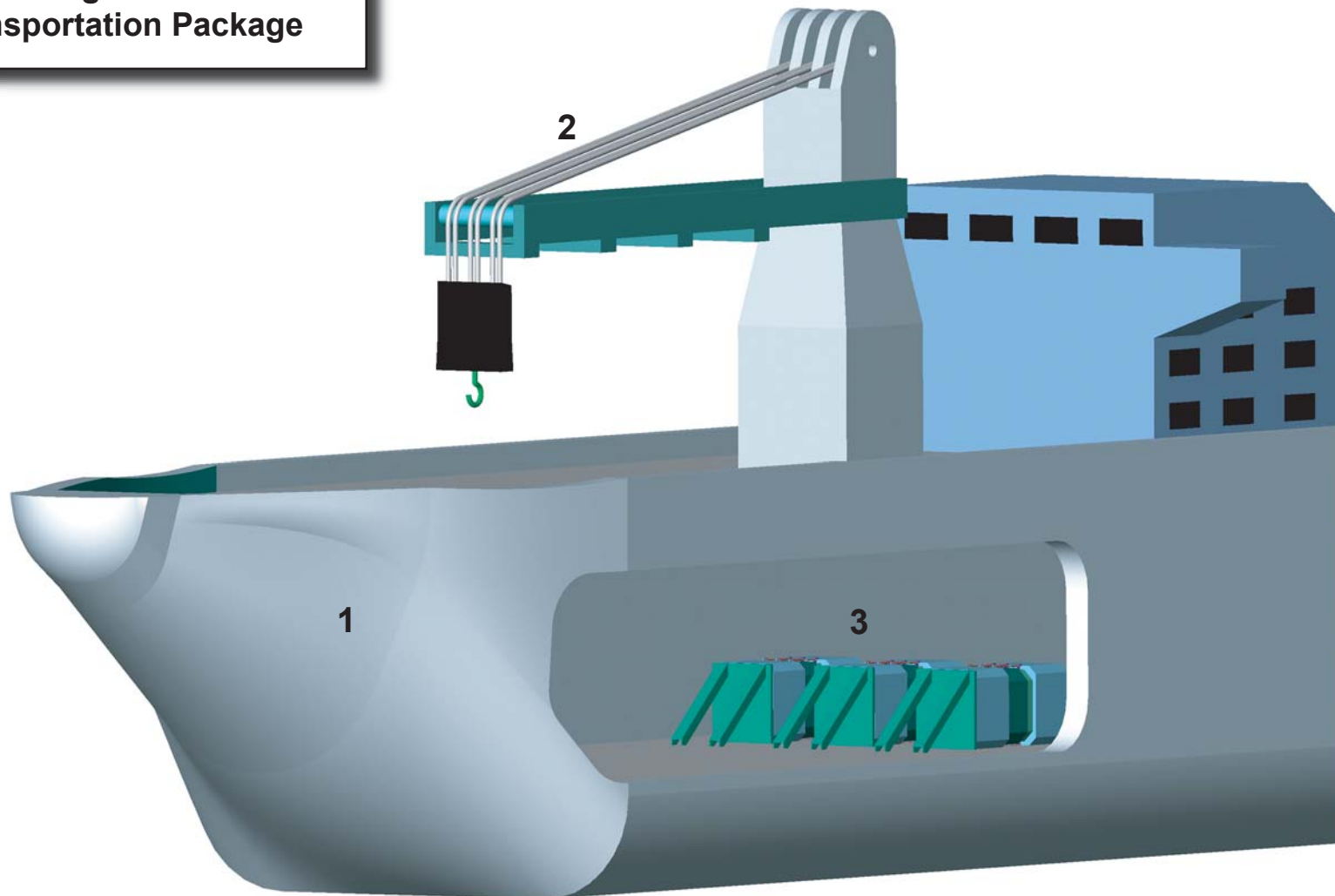
(weather cover and labelling for transportation not shown)

**Water Transportation of
Transportation Cask IFTC/BM**



1. Vessel meeting INF Code requirements
2. Self-gearred
3. IFTC/BM Casks shown in hold

**Water Transportation of
Dry Storage Container
Transportation Package**



1. Vessel meeting INF Code requirements
2. Self-gereated
3. DS CTPs shown in hold